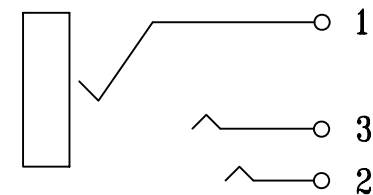
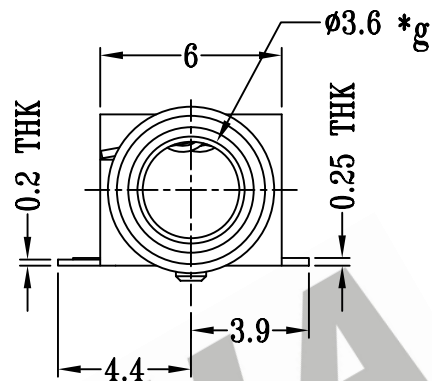
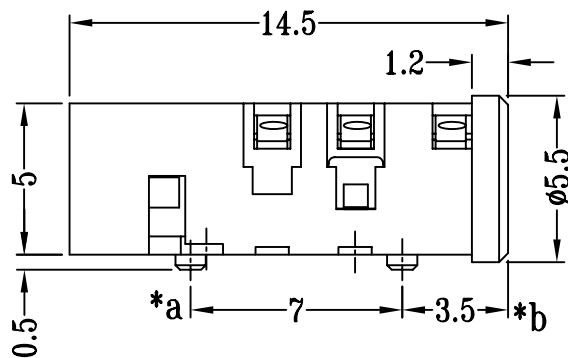
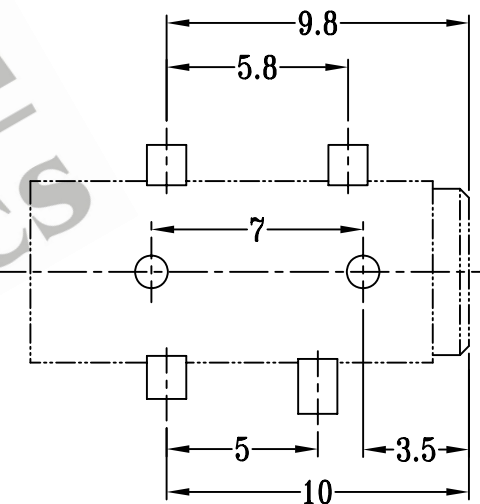
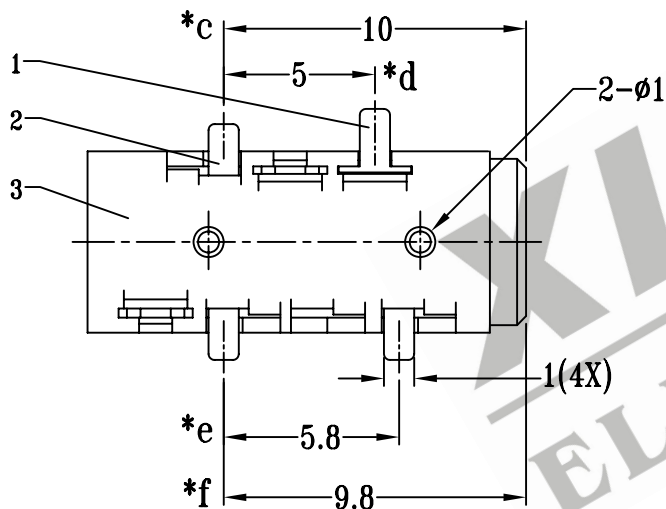


CAD FILE:



SCHMATIC



P.C.B LAYOUT

注:带"*"表示关键尺寸(7个)

7					TOLERANCE UNLESS SPECIFIED	SHENZHEN XIEJIA ELECTRONICS CO.,LTD.			
6					WITHIN: 1.5±0.1mm				
5					OVER: 1.5±0.2mm	ISSUE	DATE	DESCRIPTIONS OF REVISION	APPD.
4					TITLE : PHONE JACK	UNIT : mm	DRWG NO.: XJ-DR-ST401-02		
3	CASE	PA46	1	BLACK	MODEL: ST-401-02	SCALE: 4:1	DWN.	ZHOUYU	2006-6-21
2	TERMINAL A	PBS C5210R-H	3	Ag PLATED OVER Ni PLATED	ALL MATERIALS MUST BE COMPLIANT TO ROHS		CHK'D	FANGYING	2006-6-21
1	TERMINAL B	PBS C5191R-H	1	Ag PLATED OVER Ni PLATED			APPD.	KANGXINAN	2006-6-21
NO.	PARTS	MATERIALS	Q'TY	FINISH					